

**LINVISIBILE<sup>®</sup>**



# Linvisibile Vertical Pivot Door Removable Uprights version

TECHNICAL DATA

# TECHNICAL SPECIFICATIONS

**LINVISIBLE BREZZA - VERTICAL PIVOT DOOR WITH REMOVABLE UPRIGHTS**, a patented door system for flush wall rotating and revolving (from 180° to 360°) doors and panels (aluminium and rotation pins wholly concealed).

**Frame** in extruded aluminium alloy EN AW 6060 (Anticorodal 063), granting a perfect anchorage of the aluminium to the walls (masonry or plasterboard). Designed with no rebate which allows either pushing and pulling (MOD.S , MOD.T). Paintable with water based colors of good quality, enamel paints, etc. It can be manufactured in a wide range of sizes and adjustable to any masonry or plasterboard (or other material) wall thickness. Assembly of the frame with triangular stabilizers (MDF 10 mm) in the two upper corners and strengthening spacers in the door jambs. This solution is recommended when it is not possible to arrange the technical compartment in width (for example in case of finished walls, boiserie, paneling, corridors, ecc.) Therefore, compared to a traditional frame, the overall dimensions of the upper crossbar only must be considered. The vertical uprights have the function to keep the aluminium frame in the square during the handling phase, and must be removed during the installation phase, after having anchored the upper crosspiece to the wall.

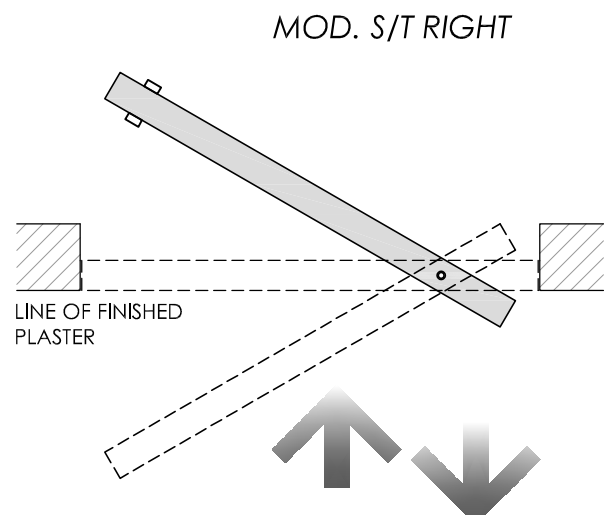
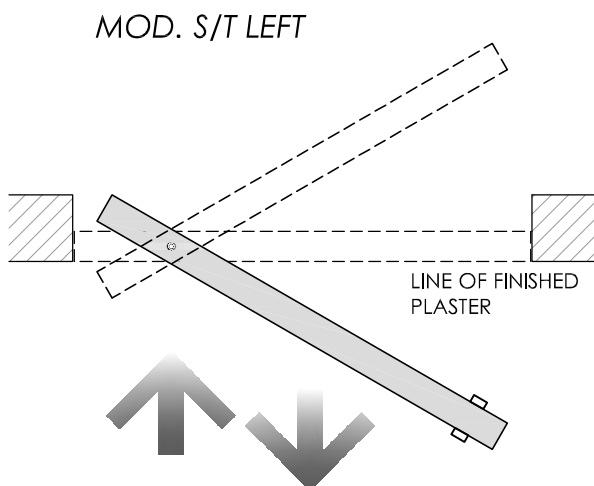
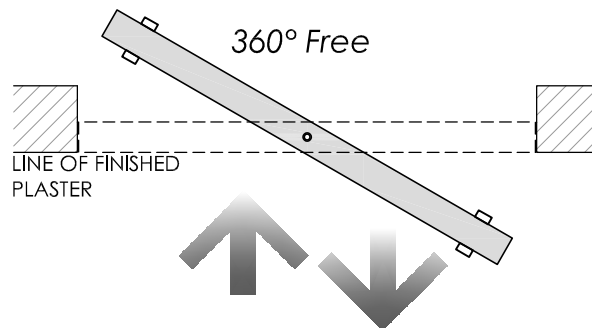
**Rotation pin** in steel mod. MAB AC-8 placed into the frame. **Rotation pivot** holder in brass mod. MAB AC-246 or similar (lower rotation).

**50 mm thick hollow core panel** (honeycomb) manufactured with hard wood on the perimeter on the four sides and two smooth MDF faces, with white base layer. Class E1 low formaldehyde emission. Rebates on both door jambs provided of rubber seal and prepared for the introduction of the lock. Upper pivot striker MAB AC-8, placed in the panel. Lower brass arm mod. MAB AC-2, placed in the panel.

## SUPPLIED

Template (or equal) necessary to position the brass pivot holder mod. MAB AC-246 into the floor made of: tubular in aluminium prepared for floor pin drilling + lead wire.

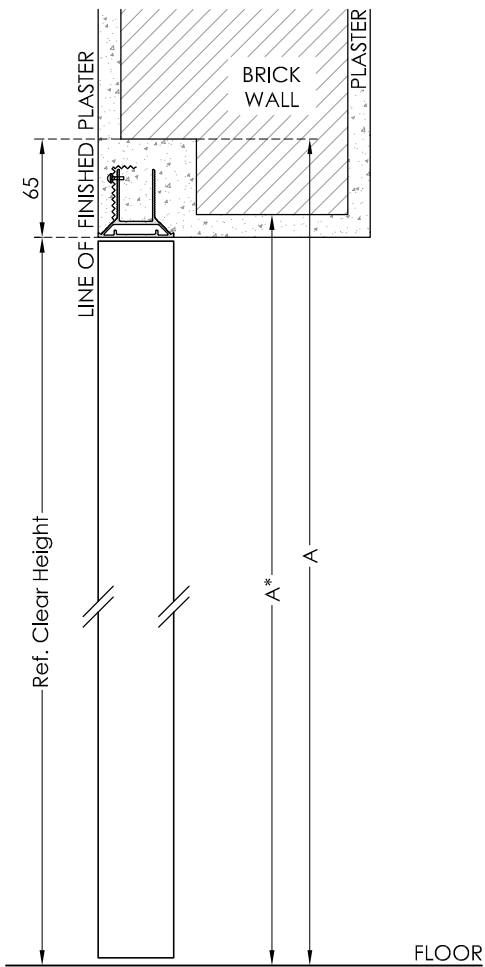
## OPENING TYPES



# MASONRY VERSION

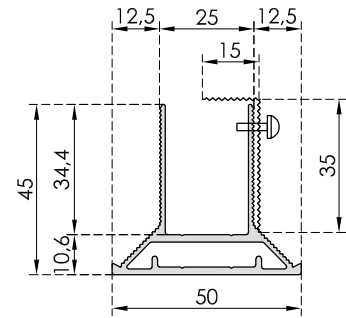
## VERTICAL SECTION

SCALE 1 : 5



## SECTION UPPER RAIL

SCALE 1 : 2

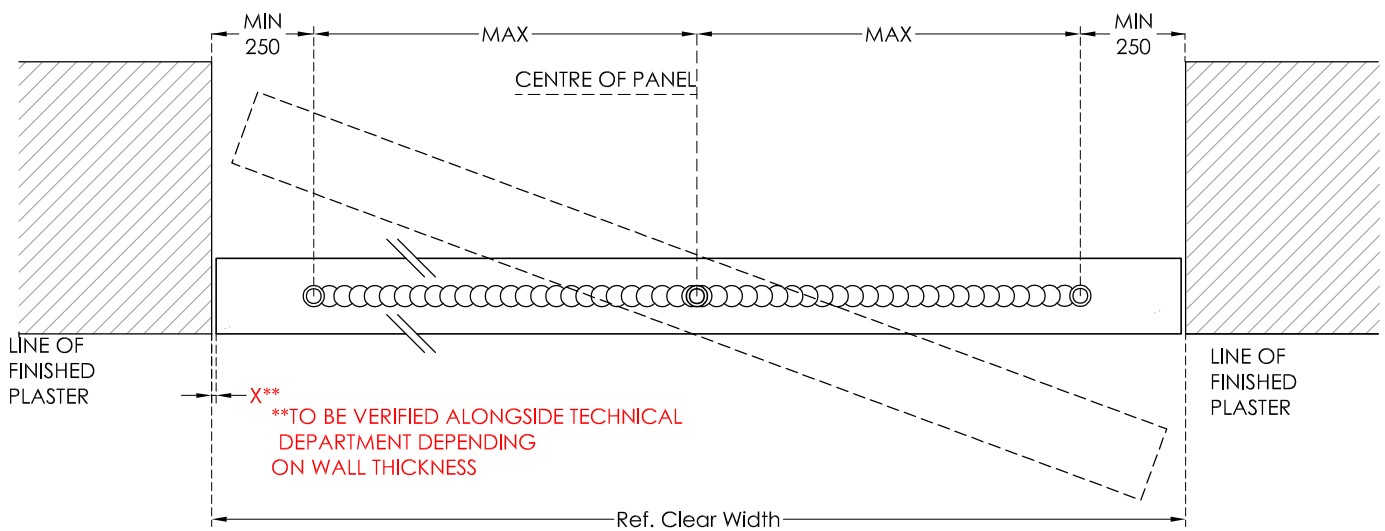


### CALCULATION OF ROUGH WALL OPENING

HEIGHT (A)	Clear Height + 65 mm
HEIGHT (A*)	Clear Height + 15 mm

## HORIZONTAL SECTION

SCALE 1 : 5



\*\*TO BE VERIFIED ALONGSIDE TECHNICAL DEPARTMENT DEPENDING ON WALL THICKNESS

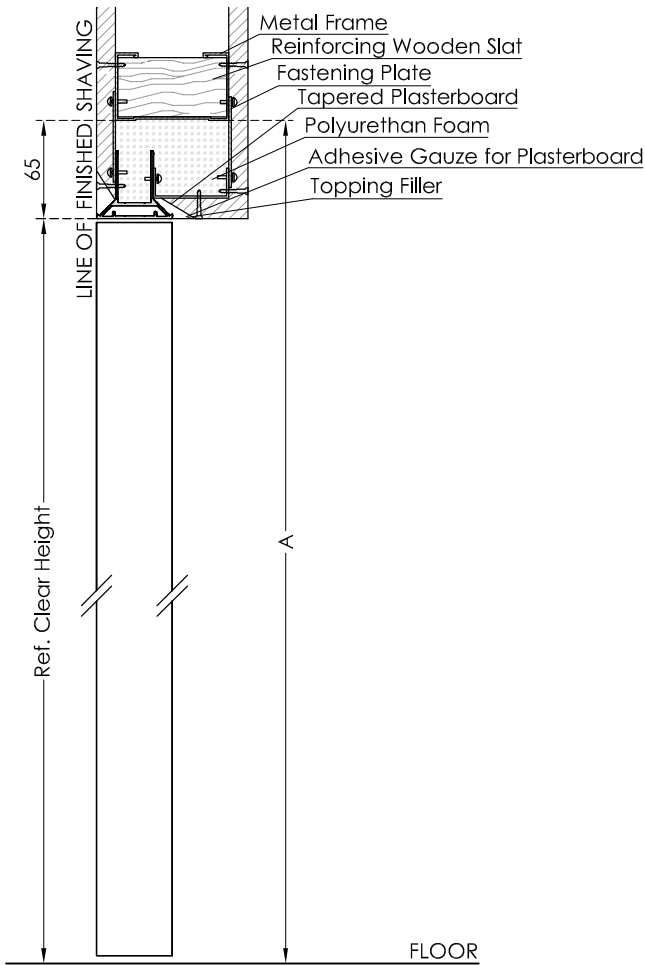
### IMPORTANT:

The rotation pin may be positioned from a minimum of 250 mm (from clear width) to the centre of the panel. Regarding the floor hole take into consideration the position of the wiring system.

# PLASTERBOARD VERSION

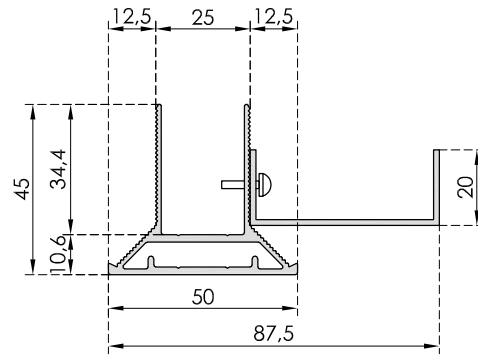
## VERTICAL SECTION

SCALE 1 : 5



## SECTION UPPER RAIL

SCALE 1 : 2

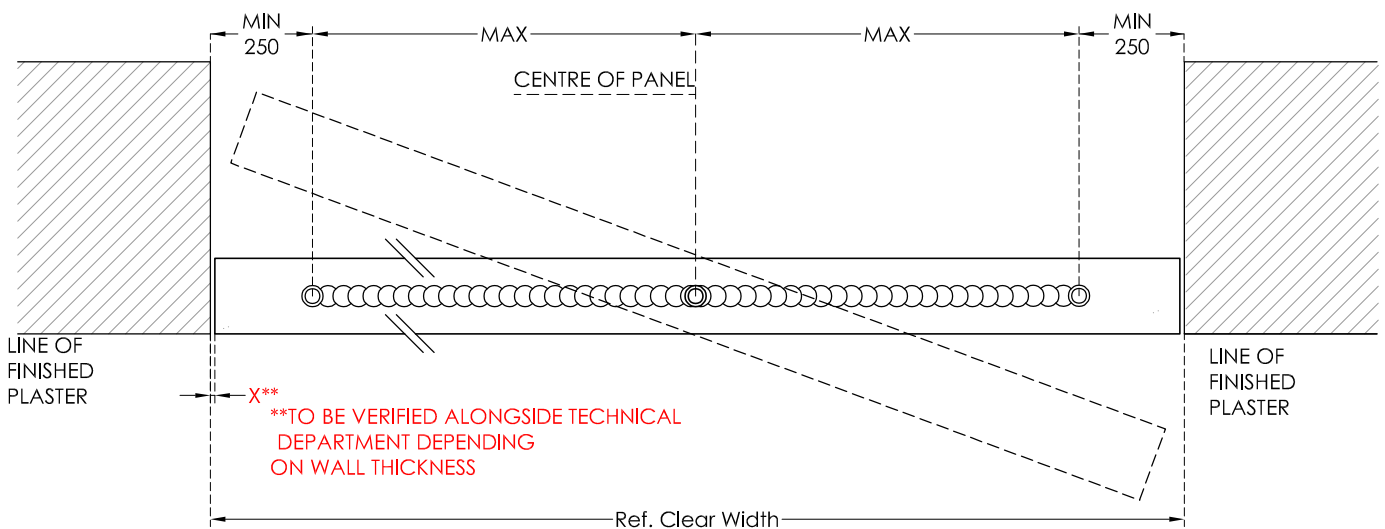


### CALCULATION OF PLASTERBOARD WALL OPENING

HEIGHT (A)	Clear Height + 65 mm
WIDTH (L)	Clear Width + 130 mm

## HORIZONTAL SECTION

SCALE 1 : 5



### IMPORTANT:

The rotation pin may be positioned from a minimum of 250 mm (from clear width) to the centre of the panel.  
Regarding the floor hole take into consideration the position of the wiring system.

---

These documents are the property of Portarredo s.r.l. and are protected by Italian as well as international laws, treaties and agreements on intellectual property. They may not be copied, reproduced, translated or transcribed in any form whatsoever, in whole or in part, without the prior written authorisation of Portarredo s.r.l.

Maximum attention has been paid to these documents before printing. However, because of continuous technological development and since we are constantly engaged in the development and improvement of our product range, we reserve the right to modify specifications of any product without prior notice.

