
TECHNICAL SPECIFICATIONS

LINVISIBLE BREZZA ZEFIRO SYSTEM, is a system of vertical pivot doors to partition environments, comprising multiple 300, 400 and 500 mm leaves, with the possibility of complete rotation (360°) of each leaf, without a defined "stop" position. The leaf sizes do not allow transiting through them. The reduced **Frame** offers the possibility of creating systems with a high number of leaves, and can be realized in two alternative configurations:

- with **UPPER RAIL**, for housing EN AW 6060 extruded aluminum alloy pins (Anticorodal 063), which guarantees the perfect anchoring of aluminum to the ceiling (masonry and plasterboard); it can be supplied in several parts to facilitate transport, to be assembled through joints before ceiling installation. Water based paints of reliable brands, enamels, and the like can be used;
- with **TEMPLATE**, for pin installation directly on the ceiling. In this case, the customer must ensure that the structure can withstand stresses caused by door leaves during use.

Rotation **pins** always positioned centrally in the leaf width. The customer must comply with these installation, use and maintenance instructions, taking note and becoming familiar with the range of movement of the doors for proper positioning and use.

Leaves available in two models:

- "**Wood-based panel version**", hammered 50 mm thick panel, made in hardwood frame on all four sides and edges and face surfaces in smooth MDF. Panel without door stop to allow unencumbered leaf rotation, pre-fitted for the installation of upper and lower pivots. Available in various finishes. Class E1, low formaldehyde emission level;

- "**Framed version**": leaf with perimeter frame in 50 mm thick, anodisable or paintable extruded aluminium (various colours), suitable for a variety of finishes: lacquered, laminated (including moulded), rear lacquered glass, special glass, mirrors, leather, metal, ceramic, fabric, etc..., including finishes in combination with one another.

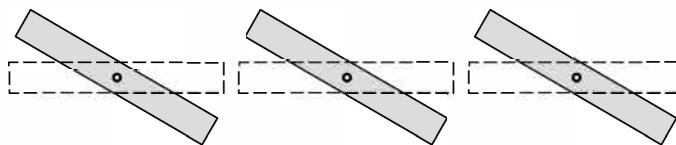
The product can be further customised by requesting only the frame (supplied disassembled), where customers can insert their own finish (produced upon specification provided by LINVISIBLE).

INCLUDED IN THE SUPPLY

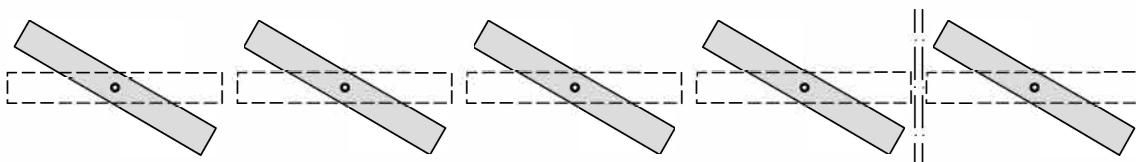
Upper and lower pivots, complete with template for installation of the lower pivot on the floor, made up of N°2 60x60x2 (with template) aluminium tubular elements, N° 1 30x20x1.5 aluminium tubular element and 1 60x60x2 tubular element (for installation with crossbar) and centring bushes for floor drilling, including the necessary plumb bobs, if needed.

POSSIBLE CONFIGURATIONS - rotation 360°

Minimum configuration 3 doors



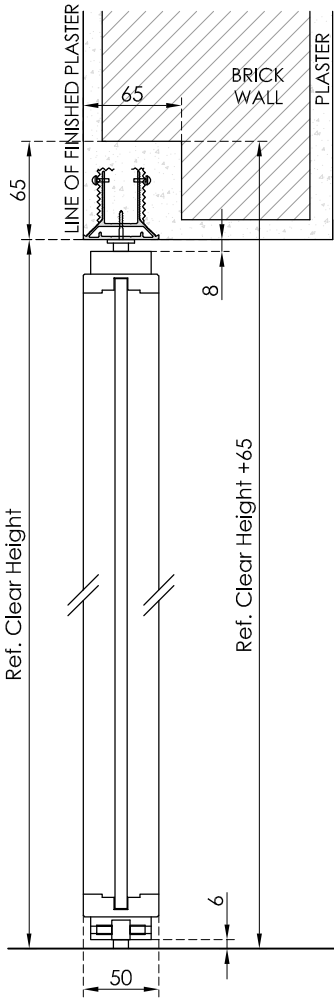
Custom configurations "n" doors Number of doors on request



MASONRY VERSION WITH UPPER RAIL

VERTICAL SECTION

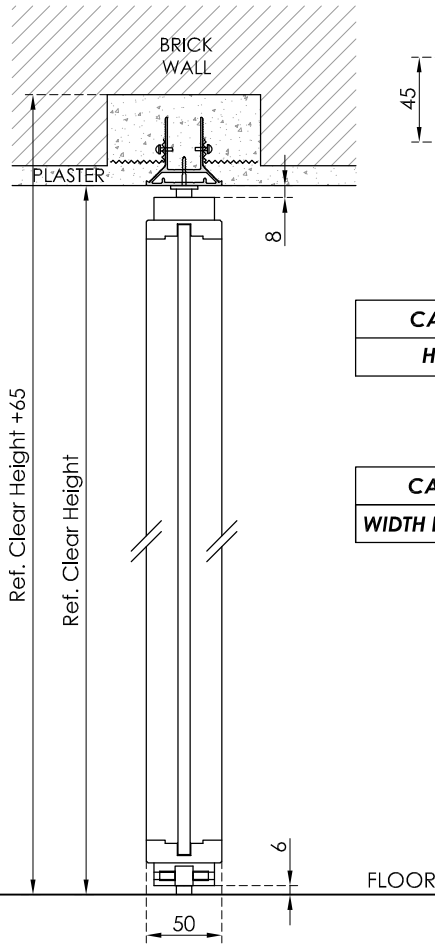
SCALE 1 : 5



VERTICAL SECTION

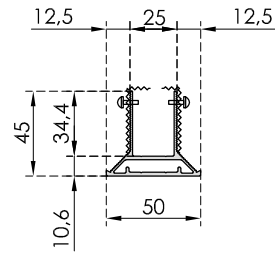
overflow version

SCALE 1 : 5



SECTION UPPER RAIL

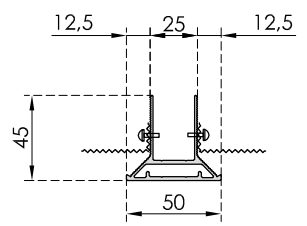
SCALE 1 : 4



SECTION UPPER RAIL

OVERFLOW VERSION

SCALE 1 : 4



CALCULATION HEIGHT OF ROUGH WALL OPENING

HEIGHT (A)

Clear Height + 65 mm

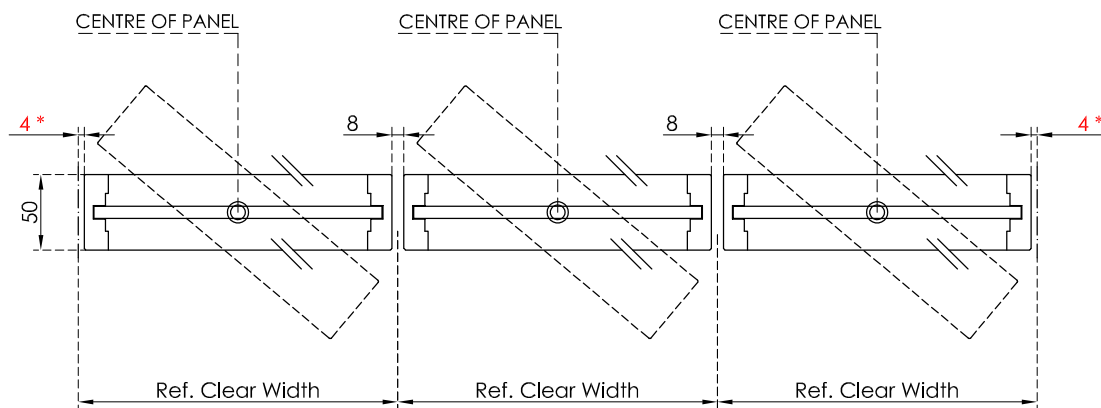
CALCULATION WIDTH OF FINISHED WALL OPENING

WIDTH FINISHED DOOR

Clear Width

HORIZONTAL SECTION

SCALE 1 : 5



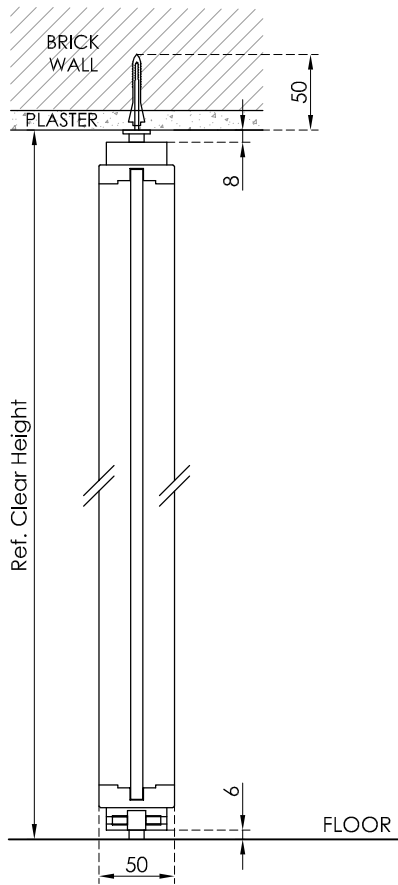
IMPORTANT: For a good architectural impact if walls are adjacent to the system, make sure such walls are perfectly orthogonal to the floor and ensure the same height marked by * is preserved for the entire system

Displayed panels with frame, technical data sheet also applicable to hammered panels.

MASONRY VERSION WITHOUT UPPER RAIL

VERTICAL SECTION

SCALE 1 : 5

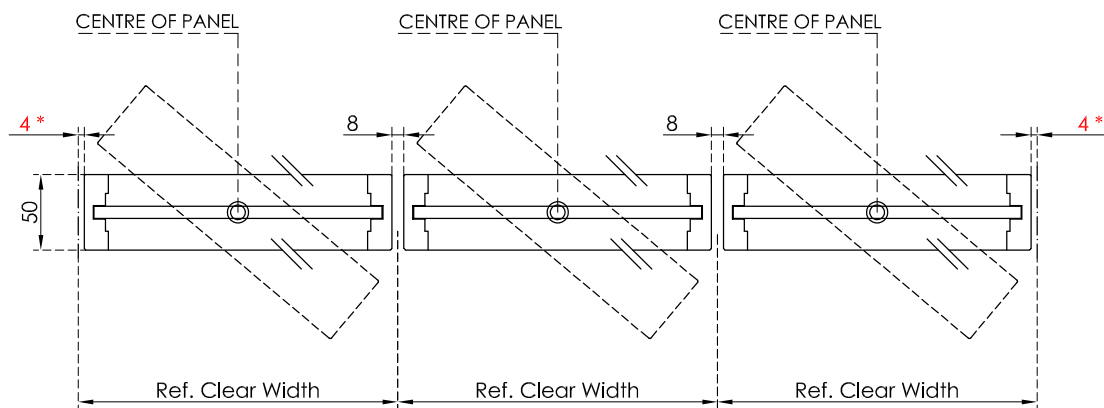


CALCULATION HEIGHT OF ROUGH WALL OPENING	
HEIGHT (A)	Clear Height

CALCULATION WIDTH OF FINISHED WALL OPENING	
WIDTH FINISHED DOOR	Clear Width

HORIZONTAL SECTION

SCALE 1 : 5



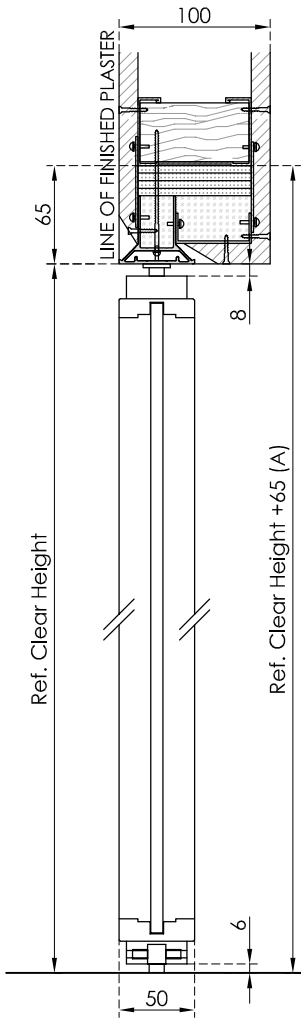
IMPORTANT: For a good architectural impact if walls are adjacent to the system, make sure such walls are perfectly orthogonal to the floor and ensure the same height marked by * is preserved for the entire system

Displayed panels with frame, technical data sheet also applicable to hammered panels.

PLASTERBOARD VERSION WITH UPPER RAIL

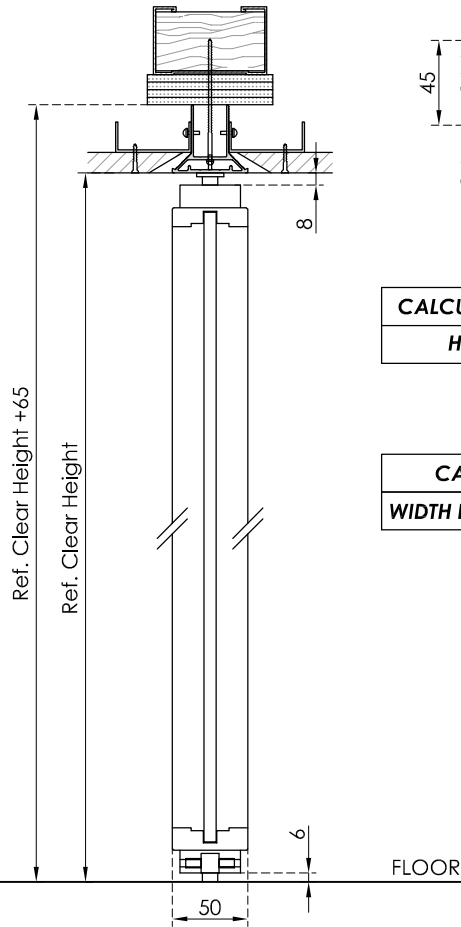
VERTICAL SECTION

SCALE 1 : 5



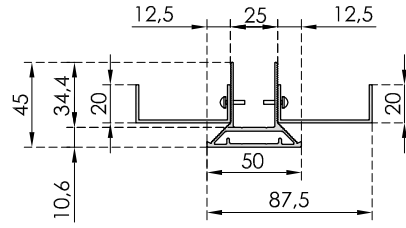
VERTICAL SECTION overflow version

SCALE 1 : 5



SECTION UPPER RAIL

SCALE 1 : 4



CALCULATION HEIGHT OF PLASTERBOARD WALL OPENING

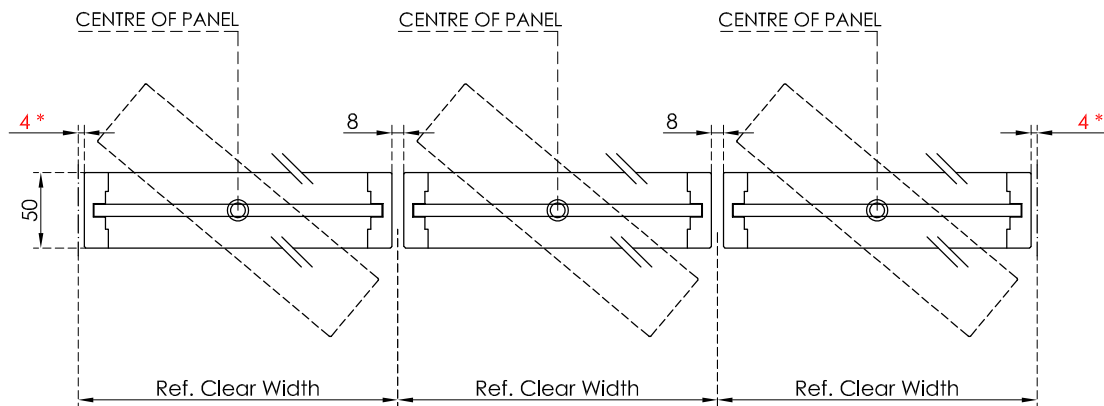
HEIGHT (A)	Clear Height + 65 mm
------------	----------------------

CALCULATION WIDTH OF FINISHED PLASTERBOARD

WIDTH FINISHED DOOR	Clear Width
---------------------	-------------

HORIZONTAL SECTION

SCALE 1 : 5

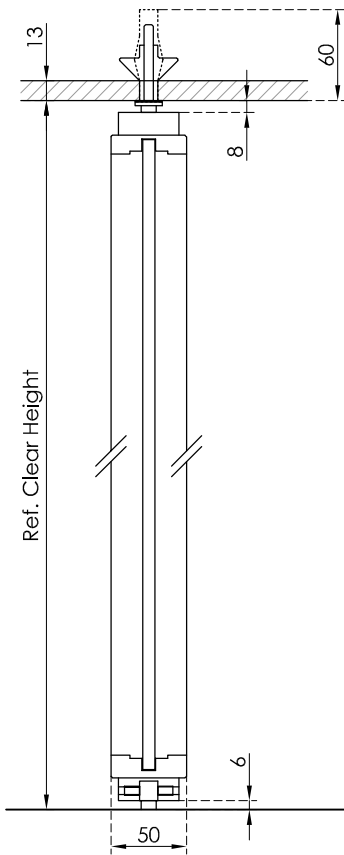


IMPORTANT: For a good architectural impact if walls are adjacent to the system, make sure such walls are perfectly orthogonal to the floor and ensure the same height marked by * is preserved for the entire system

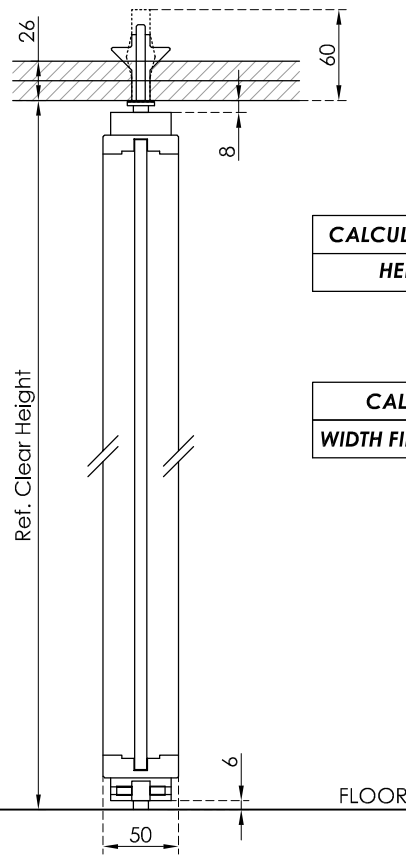
Displayed panels with frame, technical data sheet also applicable to hammered panels.

PLASTERBOARD VERSION WITHOUT UPPER RAIL

VERICAL SECTION
OVERFLOW VERSION
single-slab
SCALE 1 : 5



VERICAL SECTION
OVERFLOW VERSION
double-slab
SCALE 1 : 5

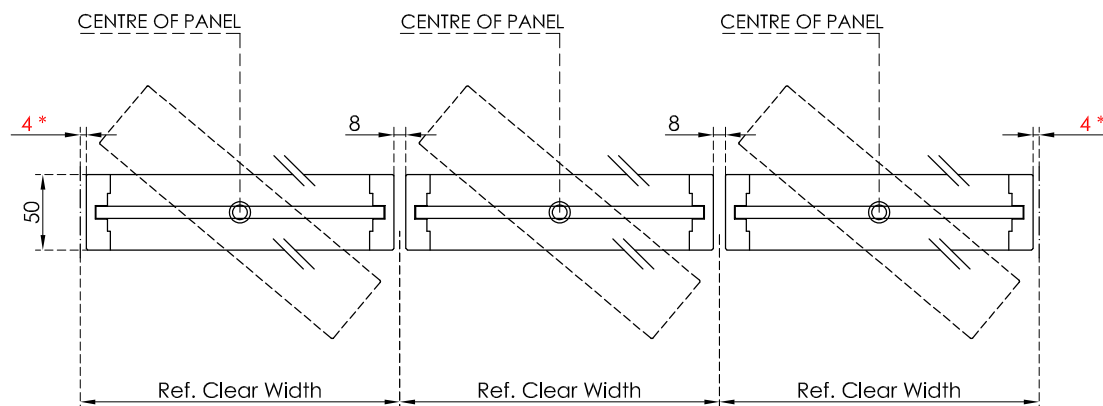


N.B.: The supplied anchor is suitable only for fixing with single-slab or double-slab ceilings; we cannot guarantee its performance on thicker ceilings or on a structure different from what is recommended.

CALCULATION HEIGHT OF PLASTERBOARD WALL OPENING	
HEIGHT (A)	Clear Height

CALCULATION WIDTH OF FINISHED PLASTERBOARD	
WIDTH FINISHED DOOR	Clear Width

HORIZONTAL SECTION
SCALE 1 : 5



IMPORTANT: For a good architectural impact if walls are adjacent to the system, make sure such walls are perfectly orthogonal to the floor and ensure the same height marked by * is preserved for the entire system

Displayed panels with frame, technical data sheet also applicable to hammered panels.