

**LINVISIBILE<sup>®</sup>**



# Linvisibile Pocket door 150 mm

## Linea system

**TECHNICAL DATA**

---

## TECHNICAL SPECIFICATION

---

**LINVISIBLE POCKET DOOR LINEA 150 mm**, exclusive patented system with sliding movement composed of:

Frame made from extruded aluminium alloy EN AW 6060 (Anticorodal 063), which ensures the perfect anchoring of aluminium to masonry walls. Water based paints of reliable brands, enamels, and the like can be used. It can be made in a wide range of sizes for masonry, or plasterboard or other material walls having a final thickness of 105 mm.

Thanks to the special profile of which it is composed, the casing structure is as firm as the walls themselves. The structure is so solid that not even the slightest bending is formed, thereby there is no risk of cracks and detachments in the plaster and/or the chosen finishing.

Frame with flexible transparent stop seal and black co-extruded seal for vertical infilling.

Removable **sliding guide**, that allows all adjustments on the panel acting on two screws only, always easily reached, near the center of the closing side, without any direct intervention on the leaf. The carriage, fitted to the guide, has bumpers so that the panel can be opened and closed while softly braked, with precise, safe and absolutely silent movements. For clear widths less than 800 mm the damper is present only for the closure; during opening there is a damping stopping device.

**Panel** with perimeter frame in 50 mm thick, anodisable or paintable extruded aluminum, with glass finish (rear-lacquered, satin-polished, special glasses, mirrors, etc...)

Square tubular **spacer**, 50x50-mm, (TEMPLATE) used as a strengthening element to keep the entire structure perfectly true and square during assembly, and to ensure a perfect panel housing pocket/ striker alignment.

Lower **directional system** to keep the door centre line aligned when the leaf slides, which guarantees high panel stability and avoids sideways 'oscillation' when the panel moves.

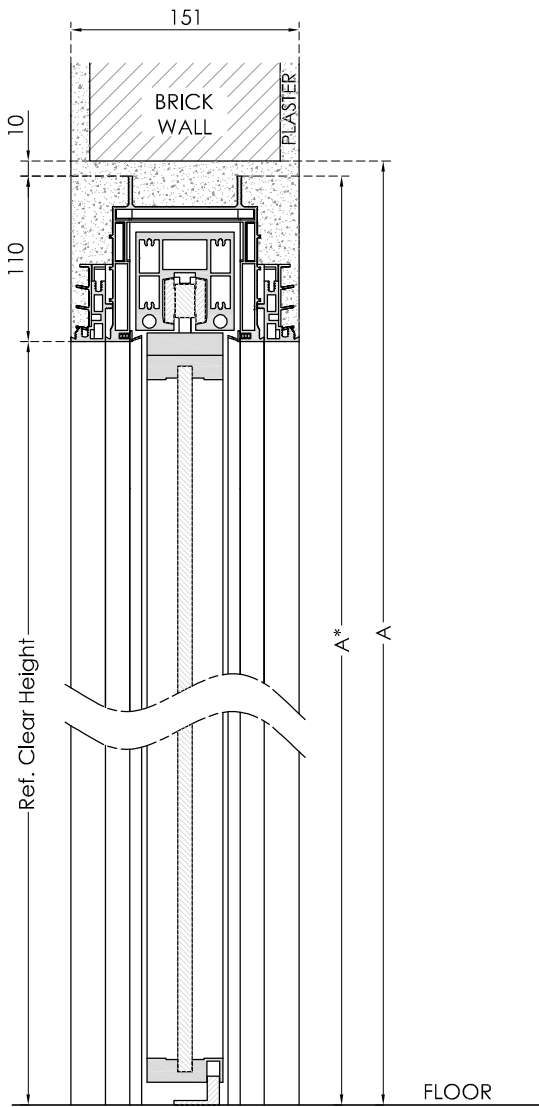
Flush-fit handles (version without locks) and hook lock not included.

The door has been designed to house the Bonaiti G500T hook lock or to feature the Bonaiti TR2 drag tie (case without lock).

# MASONRY VERSION

## VERTICAL SECTION

SCALE 1 : 5



### CALCULATION OF ROUGH FRAME OBSTRUCTION

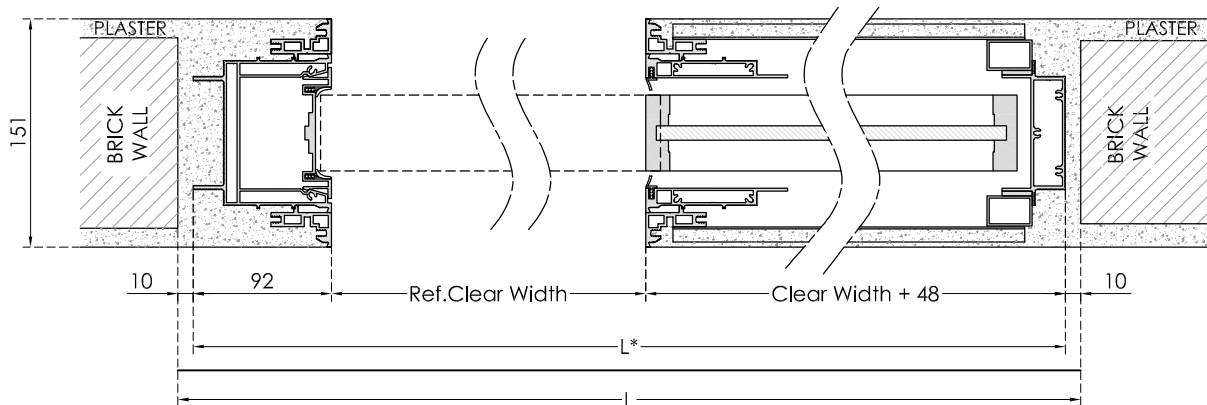
HEIGHT (A*)	Clear Height + 110 mm
WIDTH (L*)	(2 x Clear Width) + 140 mm

### CALCULATION OF ROUGH WALL OPENING

HEIGHT (A)	Clear Height + 120 mm
WIDTH (L)	(2 x Clear Width) + 160 mm

## HORIZONTAL SECTION

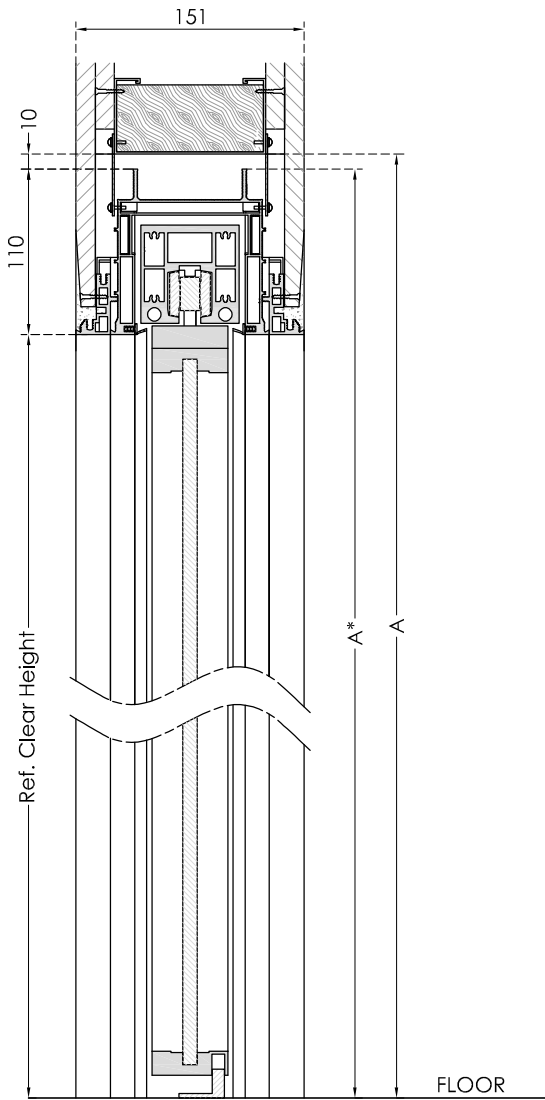
SCALE 1 : 5



# PLASTERBOARD VERSION

## VERTICAL SECTION

SCALE 1 : 5



### CALCULATION OF PLASTERBOARD FRAME OBSTRUCTION

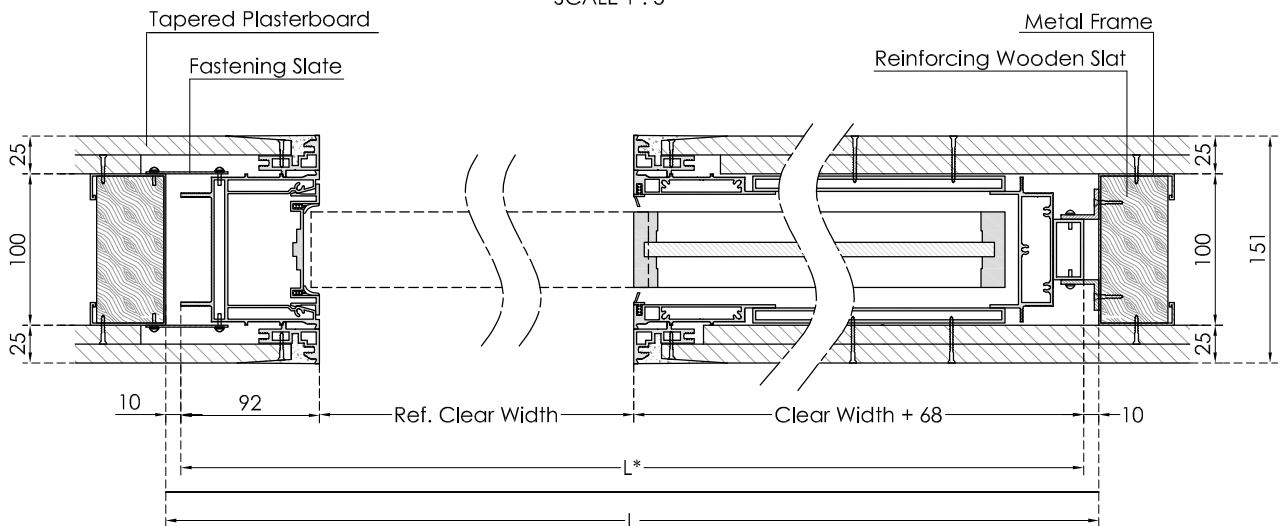
HEIGHT (A*)	Clear Height + 110 mm
WIDTH (L*)	(2 x Clear Width) + 160 mm

### CALCULATION OF PLASTERBOARD WALL OPENING

HEIGHT (A)	Clear Height + 120 mm
WIDTH (L)	(2 x Clear Width) + 180 mm

## HORIZONTAL SECTION

SCALE 1 : 5



---

These documents are the property of Portarredo s.r.l. and are protected by Italian as well as international laws, treaties and agreements on intellectual property. They may not be copied, reproduced, translated or transcribed in any form whatsoever, in whole or in part, without the prior written authorisation of Portarredo s.r.l.

Maximum attention has been paid to these documents before printing. However, because of continuous technological development and since we are constantly engaged in the development and improvement of our product range, we reserve the right to modify specifications of any product without prior notice.

CERTIFIED  
COMPANY ISO 9001

Possibility to supply  
product certificates



The mark of  
responsible forestry  
FSC® C132389



contributes to  
MRC2, MRC4, MRC7  
v2009  
IT05-17070200

LINVISIBLE products can contribute  
to meet the building construction LEED®  
rating system requirements